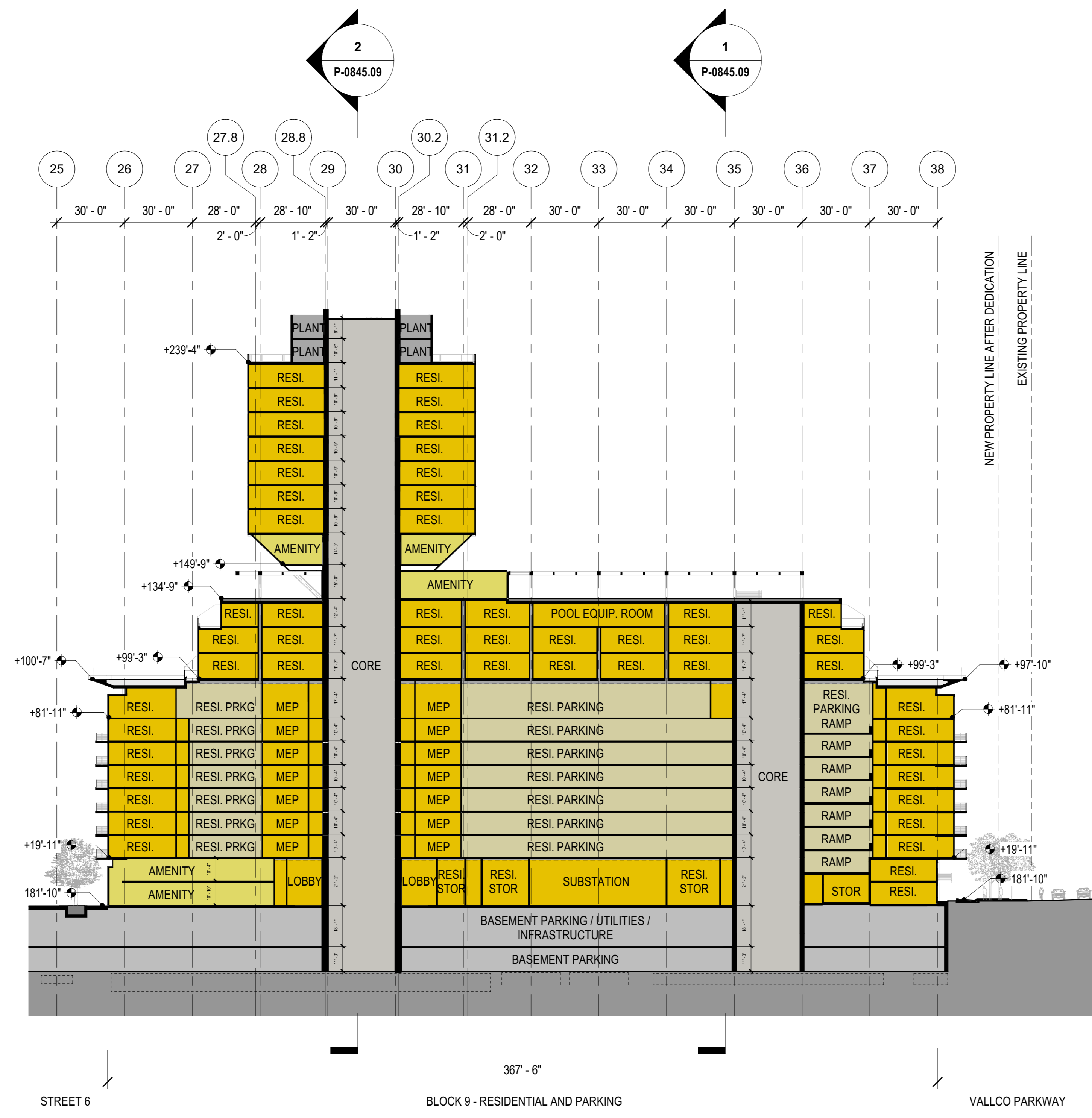


**NOTE**  
 --- FINISHED CEILING ABOVE THE FLOOR  
 ■ "ATTIC SPACE" NOT CONDITIONED OR HABITABLE BETWEEN THE FINISHED CEILING AND FLOOR SLAB ABOVE AS PER CMC 19.08.030

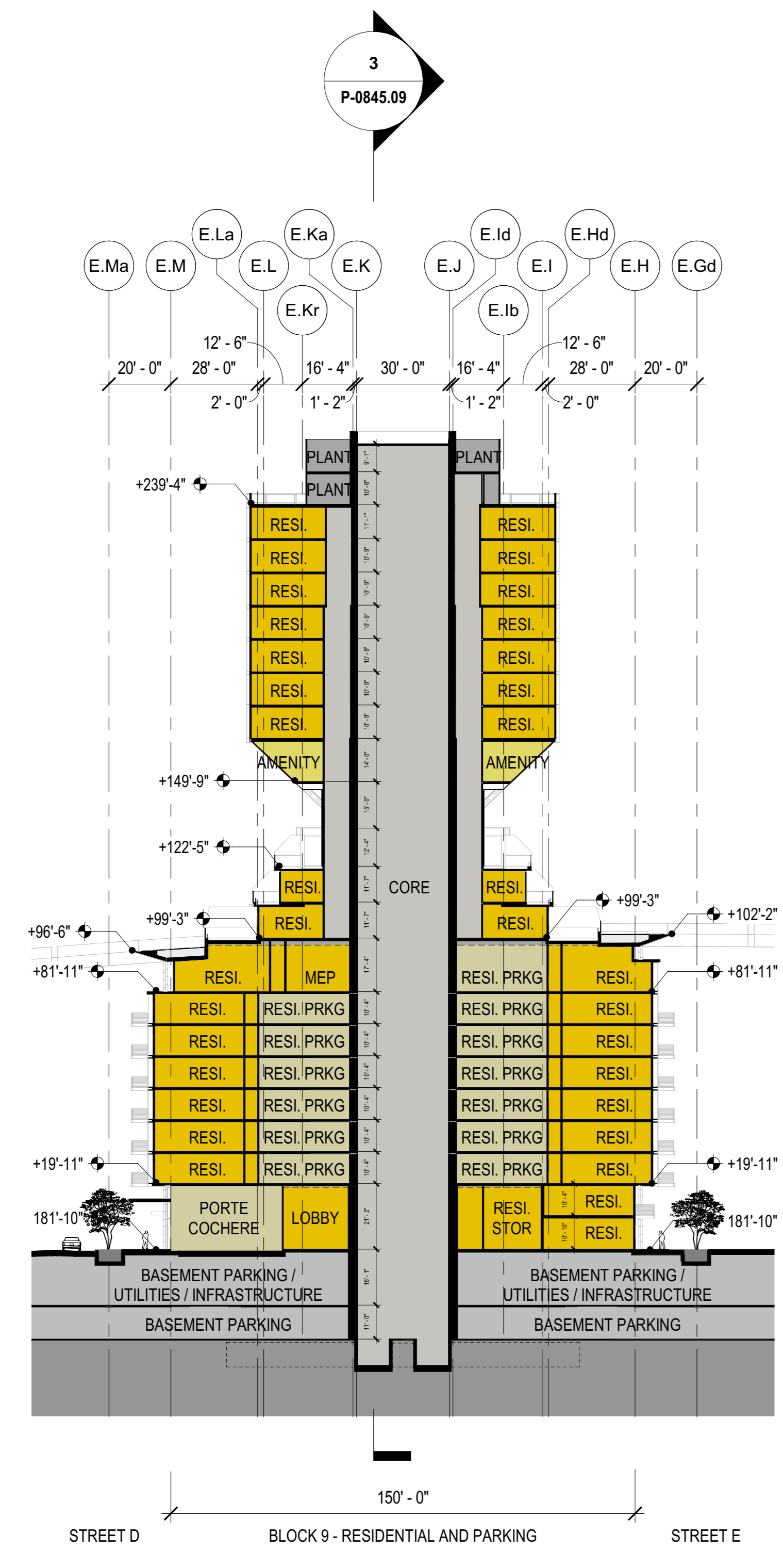
# THE RISE

OWNER - VALICO PROPERTY OWNER LLC  
 2800 EL CAMINO REAL, SUITE 410, PALO ALTO, CA 94306  
 T. 650-344-1500  
 ARCHITECTURE - RAFAEL VINOLY ARCHITECTS  
 375 PEARL STREET, 31ST FLOOR, NEW YORK, NY 10038  
 T. 212-627-9500  
 ARCHITECTURE - RAFAEL VINOLY ARCHITECTS  
 10123 N. WOLFE ROAD, CUPERTINO, CA 95014  
 T. 408-627-7090  
 LANDSCAPE ARCHITECTURE - OLAN PARTNERSHIP LTD.  
 1811 JOHN F. KENNEDY BLVD, SUITE 200, CAMPBELL, CA 95008  
 T. 214-440-0030  
 CIVIL - SANDS CIVIL ENGINEERS SURVEYORS PLANNERS, INC.  
 1100 S. WINCHESTER BLVD, SUITE 200, CAMPBELL, CA 95008  
 T. 408-636-9000  
 TRAFFIC - KIMLEY-HORN AND ASSOCIATES, INC.  
 100 W. SAN FERNANDO STREET, SUITE 250, SAN JOSE, CA 95113  
 T. 669-800-4130  
 LIGHTING DESIGN - ONE LUX STUDIO  
 158 WEST 20TH STREET, 10TH FLOOR, NEW YORK, NY 10011  
 T. 212-201-6750  
 SIGNAGE & WAYFINDING - EXIT DESIGN  
 725 N. 4TH STREET, PHILADELPHIA, PA 19123  
 T. 215-651-1950  
 PARKING ENGINEERING - WATRY DESIGN, INC.  
 2099 GATEWAY PLACE, SUITE 550, SAN JOSE, CA 95110  
 T. 408-392-7000  
 FOOD SERVICE, WASTE MANAGEMENT & LOGISTICS - CNI-LITTLE  
 156 2ND STREET, SAN FRANCISCO, CA 94105  
 T. 415-522-5900



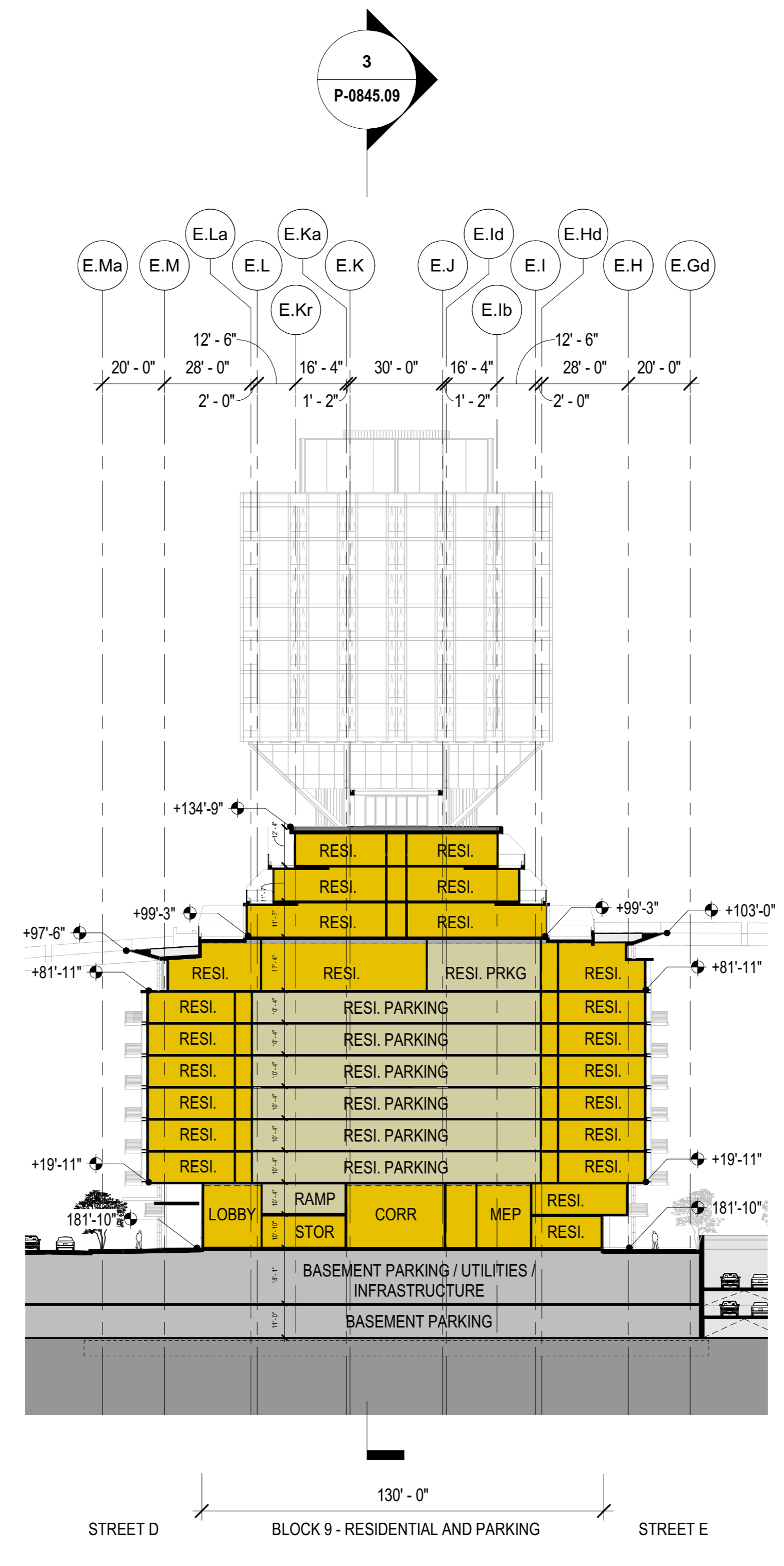
- LEVEL TWR ROOF - BL09 421'-2"
- LEVEL 22 - BL09 410'-1"
- LEVEL 21 - BL09 389'-4"
- LEVEL 20 - BL09 388'-7"
- LEVEL 19 - BL09 377'-10"
- LEVEL 18 - BL09 367'-1"
- LEVEL 17 - BL09 356'-4"
- LEVEL 16 - BL09 345'-7"
- LEVEL 15 - BL09 331'-7"
- LEVEL AMENITY ROOF - BL09 329'-2"
- LEVEL 13 - BL09 316'-7"
- LEVEL 12 - BL09 304'-3"
- LEVEL 11 - BL09 292'-8"
- LEVEL 10 - BL09 281'-1"
- LEVEL 09 - BL09 263'-9"
- LEVEL 08 - BL09 253'-5"
- LEVEL 07 - BL09 243'-1"
- LEVEL 06 - BL09 232'-9"
- LEVEL 05 - BL09 222'-5"
- LEVEL 04 - BL09 212'-1"
- LEVEL 03 - BL09 201'-9"
- LEVEL 02 - BL09 191'-5"
- LEVEL 01 - BL09 181'-3"
- LEVEL B1 - EAST GARAGE 162'-6"
- LEVEL B2 - EAST GARAGE 151'-6"

BLOCK 9 - LONGITUDINAL SECTION  
 1/32" = 1'-0" 3



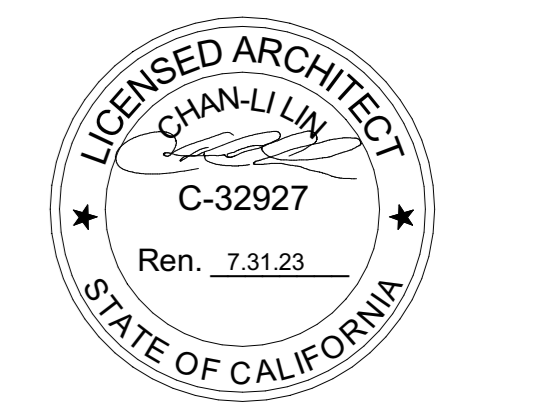
- LEVEL TWR ROOF - BL09 421'-2"
- LEVEL 22 - BL09 410'-1"
- LEVEL 21 - BL09 389'-4"
- LEVEL 20 - BL09 388'-7"
- LEVEL 19 - BL09 377'-10"
- LEVEL 18 - BL09 367'-1"
- LEVEL 17 - BL09 356'-4"
- LEVEL 16 - BL09 345'-7"
- LEVEL 15 - BL09 331'-7"
- LEVEL AMENITY ROOF - BL09 329'-2"
- LEVEL 13 - BL09 316'-7"
- LEVEL 12 - BL09 304'-3"
- LEVEL 11 - BL09 292'-8"
- LEVEL 10 - BL09 281'-1"
- LEVEL 09 - BL09 263'-9"
- LEVEL 08 - BL09 253'-5"
- LEVEL 07 - BL09 243'-1"
- LEVEL 06 - BL09 232'-9"
- LEVEL 05 - BL09 222'-5"
- LEVEL 04 - BL09 212'-1"
- LEVEL 03 - BL09 201'-9"
- LEVEL 02 - BL09 191'-5"
- LEVEL 01 - BL09 180'-7"
- LEVEL B1 - EAST GARAGE 162'-6"
- LEVEL B2 - EAST GARAGE 151'-6"

BLOCK 9 - CROSS SECTION  
 1/32" = 1'-0" 2



- LEVEL TWR ROOF - BL09 421'-2"
- LEVEL 22 - BL09 410'-1"
- LEVEL 21 - BL09 389'-4"
- LEVEL 20 - BL09 388'-7"
- LEVEL 19 - BL09 377'-10"
- LEVEL 18 - BL09 367'-1"
- LEVEL 17 - BL09 356'-4"
- LEVEL 16 - BL09 345'-7"
- LEVEL 15 - BL09 331'-7"
- LEVEL AMENITY ROOF - BL09 329'-2"
- LEVEL 13 - BL09 316'-7"
- LEVEL 12 - BL09 304'-3"
- LEVEL 11 - BL09 292'-8"
- LEVEL 10 - BL09 281'-1"
- LEVEL 09 - BL09 263'-9"
- LEVEL 08 - BL09 253'-5"
- LEVEL 07 - BL09 243'-1"
- LEVEL 06 - BL09 232'-9"
- LEVEL 05 - BL09 222'-5"
- LEVEL 04 - BL09 212'-1"
- LEVEL 03 - BL09 201'-9"
- LEVEL 02 - BL09 191'-5"
- LEVEL 01 - BL09 180'-7"
- LEVEL B1 - EAST GARAGE 162'-6"
- LEVEL B2 - EAST GARAGE 151'-6"

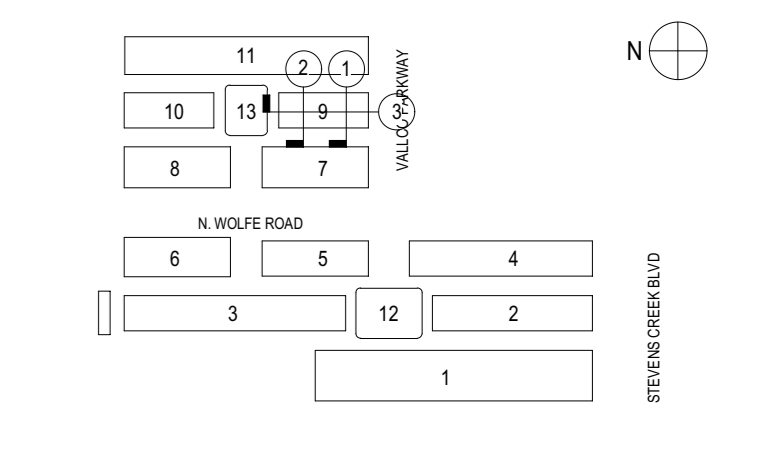
BLOCK 9 - CROSS SECTION  
 1/32" = 1'-0" 1



**NOT FOR CONSTRUCTION**  
 STAMP / SIGNATURE  
 DISCLAIMER: THE ARCHITECT / ENGINEER SHALL HAVE NO RESPONSIBILITY FOR ANY LIABILITY, LOSS, COST, DAMAGE OR EXPENSE ARISING FROM OR RELATING TO ANY USE OF THIS DOCUMENT FOR ANY PURPOSE OTHER THAN ITS INTENDED PURPOSE ON THIS PROJECT. THIS DOCUMENT IS TO BE CONSIDERED IN CONJUNCTION WITH ALL RELATED DOCUMENTATION. ANY DISCREPANCIES IDENTIFIED IN THIS DOCUMENT MUST BE REPORTED IMMEDIATELY TO THE ARCHITECT BEFORE PROCEEDING. CONTRACTORS MUST VERIFY ALL DIMENSIONS PRIOR TO PROCEEDING WITH ANY WORK. ONLY FIGURED DIMENSIONS ARE TO BE USED FOR VERIFICATION.

**SB-35 MODIFICATION APPLICATION**

REV	DESCRIPTION	DATE
REV-0	SB-35 APPLICATION - REVISION	08/02/2018
REV-1	SB-35 APPLICATION - CONFORM SET	08/15/2018
REV-2	SB-35 MODIFICATION APPLICATION	09/23/2022



KEY PLAN AND NORTH ARROW  
 ARCHITECTS PROJECT NUMBER: 708.012

IF THIS DRAWING IS NOT 36"x48" IT IS A REDUCED PRINT. REFER TO GRAPHIC SCALE.  
 SCALE: AS NOTED

**ENLARGED SECTION - BLOCK 9**