

OWNER - VALCO PROPERTY OWNER LLC
2600 EL CAMINO REAL, SUITE 410, PALO ALTO, CA 94306
T. 650.344.1081

ARCHITECTURE - RAFAEL VINOLY ARCHITECTS
375 PEARL STREET, 31ST FLOOR, NEW YORK, NY 10038
T. 212.924.0090

ARCHITECTURE - RAFAEL VINOLY ARCHITECTS
10123 N. WOLFE ROAD, CLIPPERTON, CA 95014
T. 408.627.7090

LANDSCAPE ARCHITECTURE - OLIN PARTNERSHIP LTD.
1871 JOHN F. KENNEDY BLVD, SUITE 1900, PHILADELPHIA, PA 19103
T. 214.440.0030

CIVIL - SANDS CIVIL ENGINEERS SURVEYORS PLANNERS, INC.
1705 S. WINCHESTER BLVD, SUITE 200, CAMPBELL, CA 95008
T. 408.636.0900

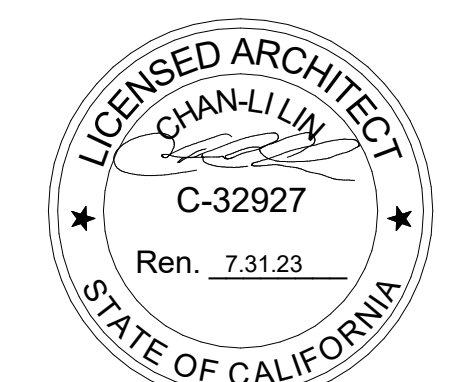
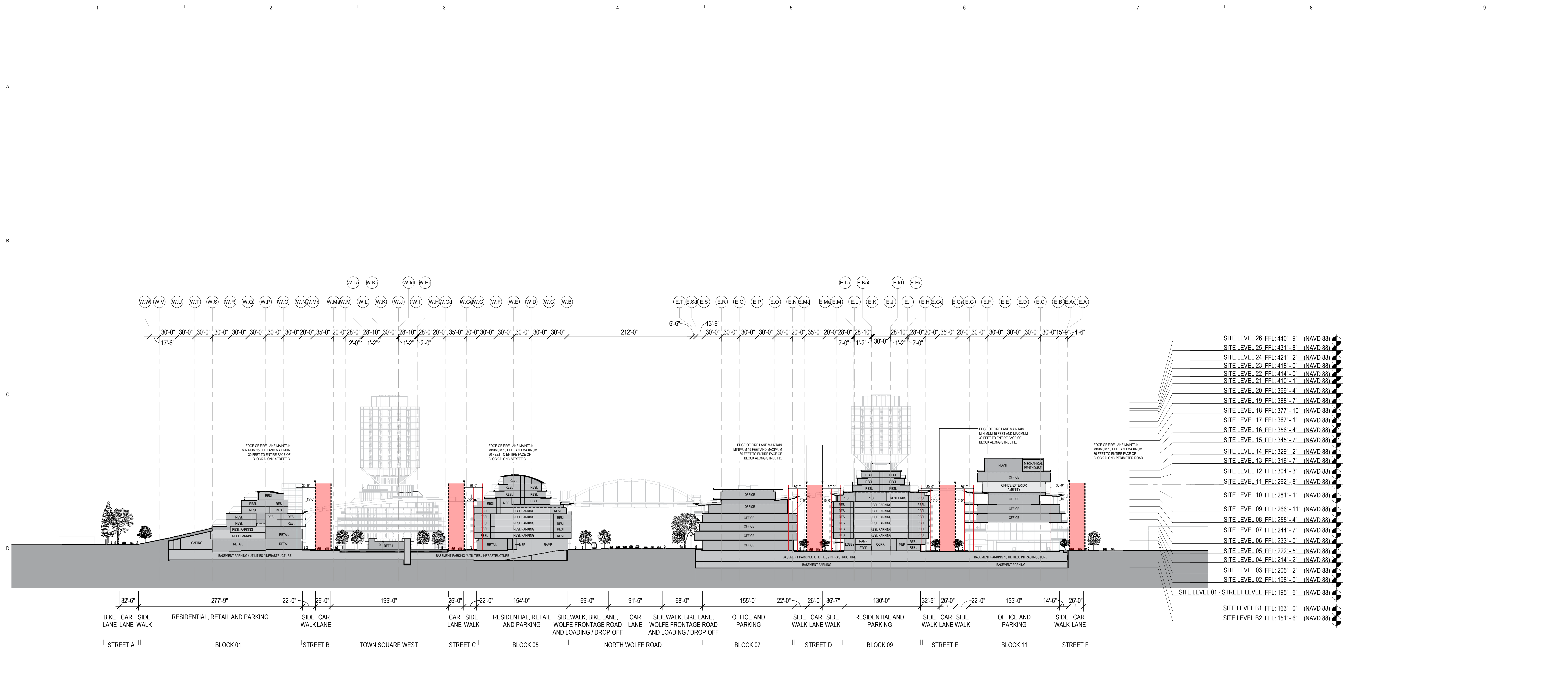
TRAFFIC - KIMLEY-HORN AND ASSOCIATES, INC.
100 W. SAN FERNANDO STREET, SUITE 200, SAN JOSE, CA 95113
T. 669.800.4130

LIGHTING DESIGN - ONE LUX STUDIO
198 WEST 29TH STREET, 10TH FLOOR, NEW YORK, NY 10001
T. 212.201.9790

SIGNAGE & WAYFINDING - EXIT DESIGN
725 N. 4TH STREET, PHILADELPHIA, PA 19123
T. 215.561.1950

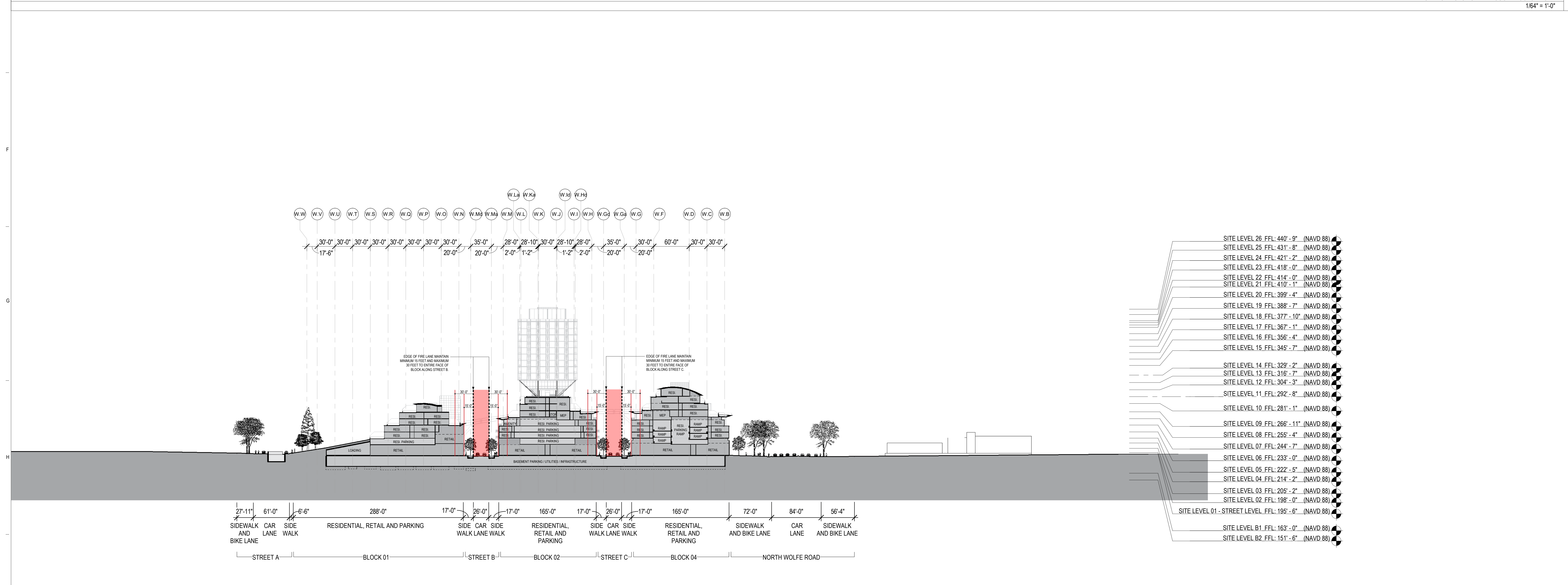
PARKING ENGINEERING - WATRY DESIGN, INC.
2099 GATEWAY PLACE, SUITE 550, SAN JOSE, CA 95110
T. 408.360.7000

FOOD SERVICE, WASTE MANAGEMENT & LOGISTICS - CANI LITTLE
196 2ND STREET, SAN FRANCISCO, CA 94105
T. 415.522.9800



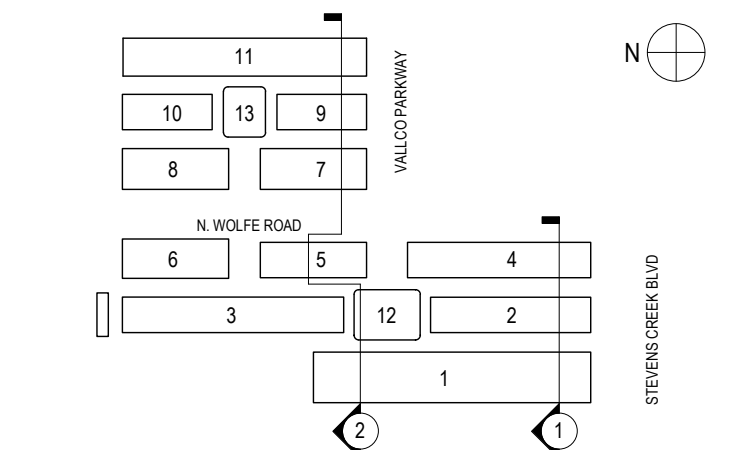
NOT FOR CONSTRUCTION

DISCLAIMER
THE ARCHITECT / ENGINEER SHALL HAVE NO RESPONSIBILITY FOR ANY LIABILITY, LOSS, COST, DAMAGE OR EXPENSE ARISING FROM OR RELATING TO ANY USE OF THIS DOCUMENT FOR ANY PURPOSE OTHER THAN ITS INTENDED PURPOSE ON THIS PROJECT. THIS DOCUMENT IS TO BE CONSIDERED IN CONJUNCTION WITH ALL RELATED DOCUMENTATION. ANY DISCREPANCIES IDENTIFIED IN THIS DOCUMENT MUST BE REPORTED IMMEDIATELY TO THE ARCHITECT BEFORE PROCEEDING. CONTRACTORS MUST VERIFY ALL DIMENSIONS PRIOR TO PROCEEDING WITH ANY WORK. ONLY FIGURED DIMENSIONS ARE TO BE USED FOR VERIFICATION.



SB-35 MODIFICATION APPLICATION

REV	DESCRIPTION	DATE
REV.0	SB-35 APPLICATION - REVISION	08/22/2018
REV.1	SB-35 APPLICATION - CONFORM SET	09/15/2018
REV.2	SB-35 MODIFICATION APPLICATION	03/23/2022



KEY PLAN AND NORTH ARROW

ARCHITECTS PROJECT NUMBER 708.012

IF THIS DRAWING IS NOT 36"x48" IT IS A REDUCED PRINT. REFER TO GRAPHIC SCALE.

SCALE: 1/64" = 1'-0"

FIRE STAGING PLAN - FIRE ACCESS SECTIONS