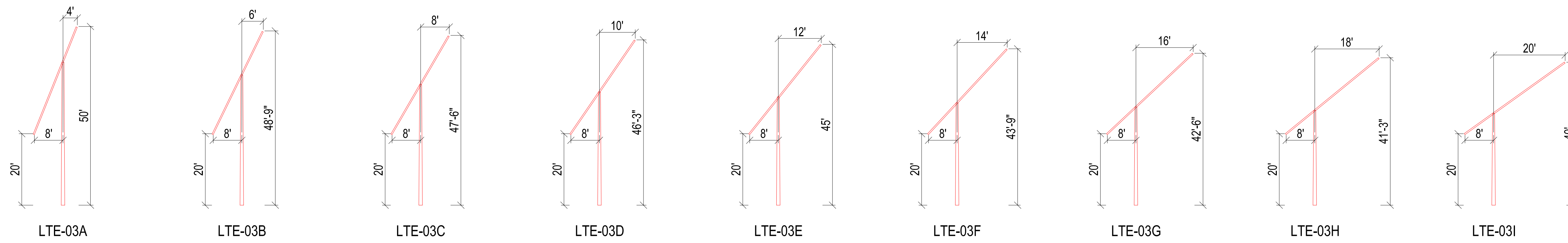
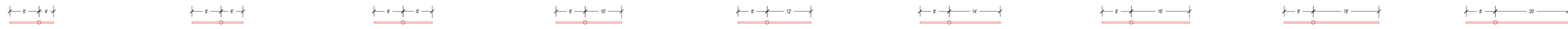


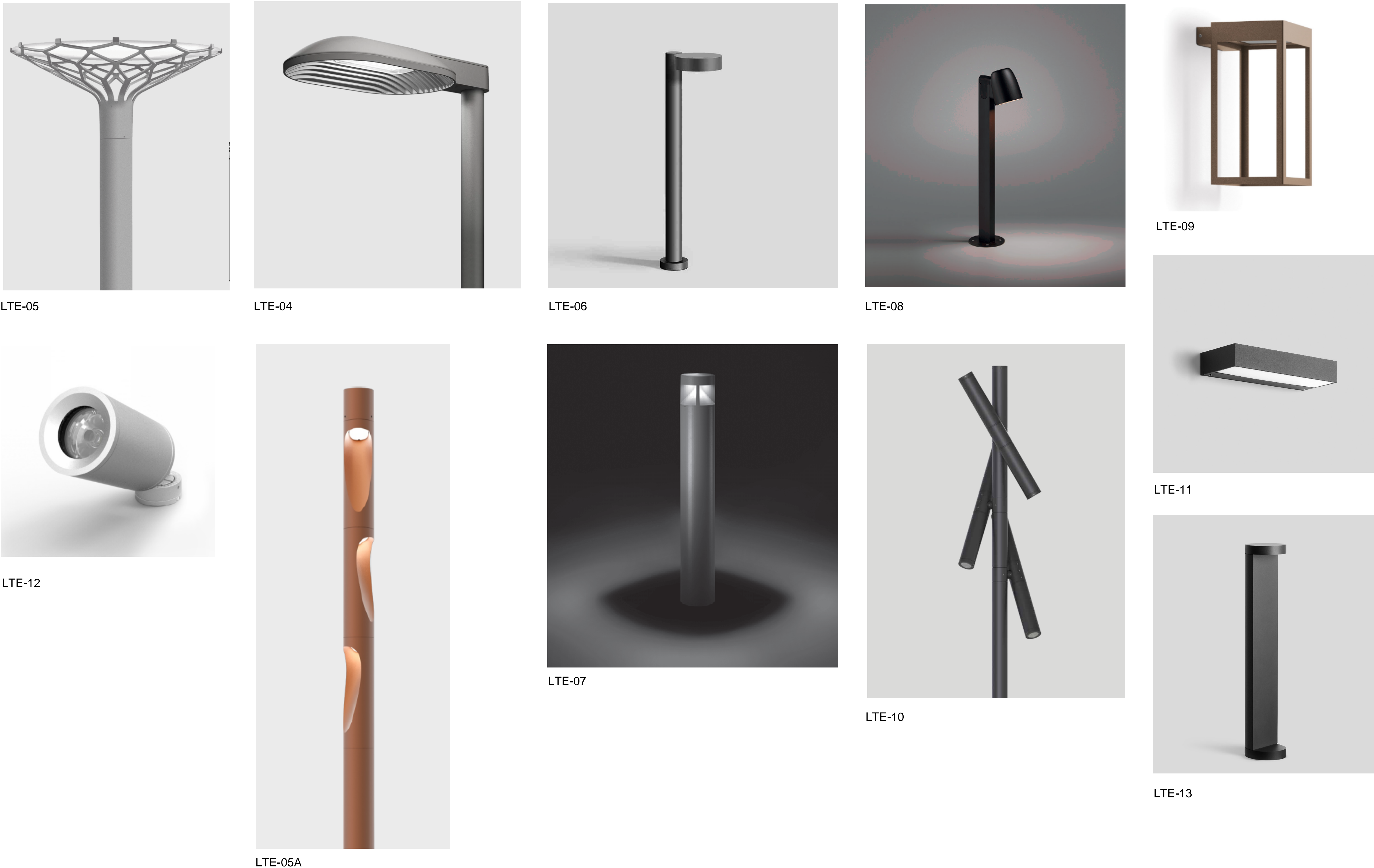
LIGHTING FIXTURE SCHEDULE		
TYPE	DESCRIPTION	LOCATION
LTE-01	PEDESTRIAN POLE LIGHT, NOM. 14FT POLE.	GROUND LEVEL LOCAL STREETS
LTE-02	ROADWAY POLE LIGHT, ASYMMETRIC THROW, NOM. 16FT POLE.	GROUND LEVEL PERIMETER STREETS
LTE-02A	ROADWAY POLE LIGHT, ASYMMETRIC THROW, NOM. 20FT POLE.	GROUND LEVEL PERIMETER STREETS
LTE-03A LTE-03B LTE-03C LTE-03D LTE-03E LTE-03F LTE-03G LTE-03H LTE-03I	CUSTOM ROADWAY / PEDESTRIAN POLE LIGHT.	GROUND LEVEL NORTH WOLFE ROAD STEVENS CREEK BLVD
LTE-04	ROADWAY POLE LIGHT, ASYMMETRIC THROW, NOM. 16FT OVERALL HEIGHT.	GROUND LEVEL OFFICE BUILDING DROP-OFF AREAS
LTE-05	POLE LIGHT WITH DECORATIVE POLE TOP LUMINAIRE, NOM. 14FT OVERALL HEIGHT.	GROUND LEVEL
LTE-05A	3-HEAD POLE LIGHT, NOM. 16FT OVERALL HEIGHT.	GROUND LEVEL
LTE-06	NOM. 3FT TALL BOLLARD WITH ASYMMETRIC THROW.	GROUND LEVEL
LTE-07	NOM. 3FT TALL BOLLARD WITH 360 DEG. DISTRIBUTION.	GROUND LEVEL PERIMETER BIKE PATHS
LTE-08	NOM. 2FT TALL BOLLARD WITH 360 DEG. DISTRIBUTION.	GROUND LEVEL TOWNHOUSES
LTE-09	BUILDING-MOUNTED FULL CUT-OFF WALL SCONCE.	GROUND LEVEL TOWNHOUSES
LTE-10	MULTI-HEAD POLE LIGHT, NOM. 16FT OVERALL HEIGHT.	GROUND LEVEL RETAIL STREET
LTE-11	BUILDING-MOUNTED FULL CUT-OFF WALL SCONCE.	ROOF DECK AMENITIES
LTE-12	BULLET UPLIGHT FOR TREES.	GROUND LEVEL
LTE-13	NOM. 3FT TALL BOLLARD WITH ASYMMETRIC THROW, MEDIUM OUTPUT.	ROOF DECK AMENITIES



LTE-03 SERIES CUSTOM LIGHTPOLES ELEVATION SCALE: 1 / 16" = 1' 0"



LTE-03 SERIES CUSTOM LIGHTPOLES PLAN SCALE: 1 / 16" = 1' 0"



LTE-05

LTE-04

LTE-06

LTE-08

LTE-09

LTE-11

LTE-13

LTE-01

LTE-02, LTE-02A

LTE-12

LTE-07

LTE-10

LTE-05A

NOTE: FIXTURE IMAGES ARE FOR REFERENCE ONLY, NOT FOR SPECIFIC SPEC.

THE RISE

Client
VALICO PROPERTY OWNER LLC
200 EL CAMINO REAL, SUITE 410
PALO ALTO, CA 94306
TEL: 650.344.1500

Architecture
KOHN PEDERSEN FOX ASSOCIATES PC
11 WEST 42ND STREET
NEW YORK, NY 10036
TEL: 415.944.5491

Architecture
KOHN PEDERSEN FOX ASSOCIATES PC
2 EMBARCADERO CENTER
SAN FRANCISCO, CA 94111
TEL: 415.944.5491

Landscape Architecture
OLIN
1617 JOHN F. KENNEDY BOULEVARD, SUITE 1900
PHILADELPHIA, PA 19103
TEL: 215.440.0030

Civil
SANDS
1703 S. WINCHESTER BOULEVARD, SUITE 200
CAMPBELL, CA 95113
TEL: 408.636.0900

Lighting Design
ONE LUX STUDIO
158 WEST 29TH STREET, 10TH FLOOR
NEW YORK, NY 10001
TEL: 212.201.5790

Structure
DCI ENGINEERS
135 MAIN STREET, SUITE 1800
SAN FRANCISCO, CA 94105
TEL: 415.781.1505

MEP
MEYERS+ ENGINEERS
98 BATTERY STREET, SUITE 500
SAN FRANCISCO, CA 94111
TEL: 415.432.8101

Geotechnical
LANGRISH
1 ALMADEN BOULEVARD, SUITE 500
SAN JOSE, CA 95113
TEL: 408.253.3900

Traffic
KIMLEY-HORN
10 SOUTH ALMADEN BOULEVARD, SUITE 1250
SAN JOSE, CA 95113
TEL: 408.800.4130

Parking Engineering
WATRY DESIGN, INC.
2099 GATEWAY PLACE, SUITE 650
SAN JOSE, CA 95110
TEL: 833.917.7275

Logistics
ARUP
950 MISSION STREET, SUITE 700
SAN FRANCISCO, CA 94105
TEL: 415.957.3445

SB 35 MODIFICATION APPLICATION

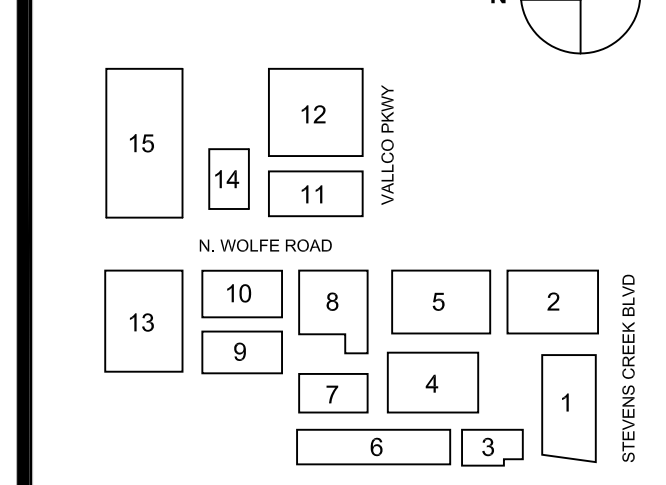
Revision

No.	Description	Date

REV 0 SB 35 MODIFICATION APPLICATION 12/04/2023

No. Description Date

Key Plan



Seal & Signature

NOT FOR CONSTRUCTION

Issue Date: 2023.12.24 Project No. Project Number

Scale: 1/16" = 1'

Drawing Title

LIGHTING FIXTURE SCHEDULE

P-0703A

© 2021 KOHN PEDERSEN FOX ASSOCIATES PC. All rights reserved.